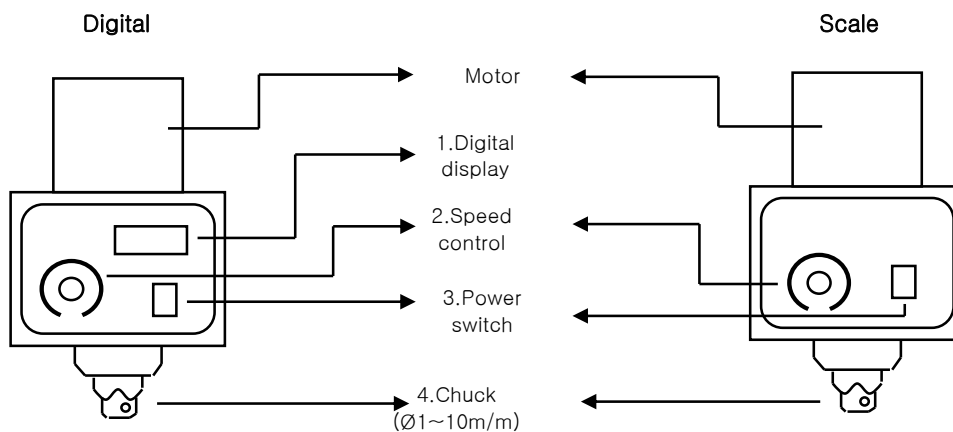


## 2. Functional Description

MODEL	Electronic overhead stirrer (MS6000 series)			
	MS6010	MS6010D	MS6060	MS6060D
Stirring capacity (H <sub>2</sub> O)	80ℓ		120ℓ	
Viscosity (Max.)	Medium		High	
Motor (out put)	DC motor 200W			
Torque (Max.)	20kg · cm (196Ncm)		32kg · cm (313.6Ncm)	
Speed range	70 ~ 1,000rpm		50 ~ 600rpm	
Speed controller	Feed-back control			
Speed display	Scale	Digital	Scale	Digital
Chuck range	Ø1 ~ 10mm			
Dimensions (WxDxH)				
Weight				
Electrical supply	AC220V 50/60Hz			

## 3. Technical Specifications



1. Speed display : Speed is indicated on LED Display. (Digital Type)  
(But, the flicked number on display with turning Volume No. 3 indicates the set RPM.)
2. rpm control volume : Motor rpm control.
3. Main power S/W : Power ON/OFF switch.

## 4. Operation

- 1) Adjust the volume at "0" and insert a main power cord to AC220V 50/60Hz.
- 2) Turn ON main power S/W(3).
- 3) Set the required speed using speed control volume(2).
- 4) Turn OFF main power S/W.
- 5) Keep clearly taking out main power cord in case that instrument is not used for a long time.

### Note:

- 1) Speed can be changed by the volume.
- 2) Turn the volume till the end counterclockwise, then rotation will be stopped.
- 3) Turn the volume to set the speed, then it arrives at the set rpm in a short time and keeps a constant speed by arithmetic logic unit.  
(Smooth start function)